

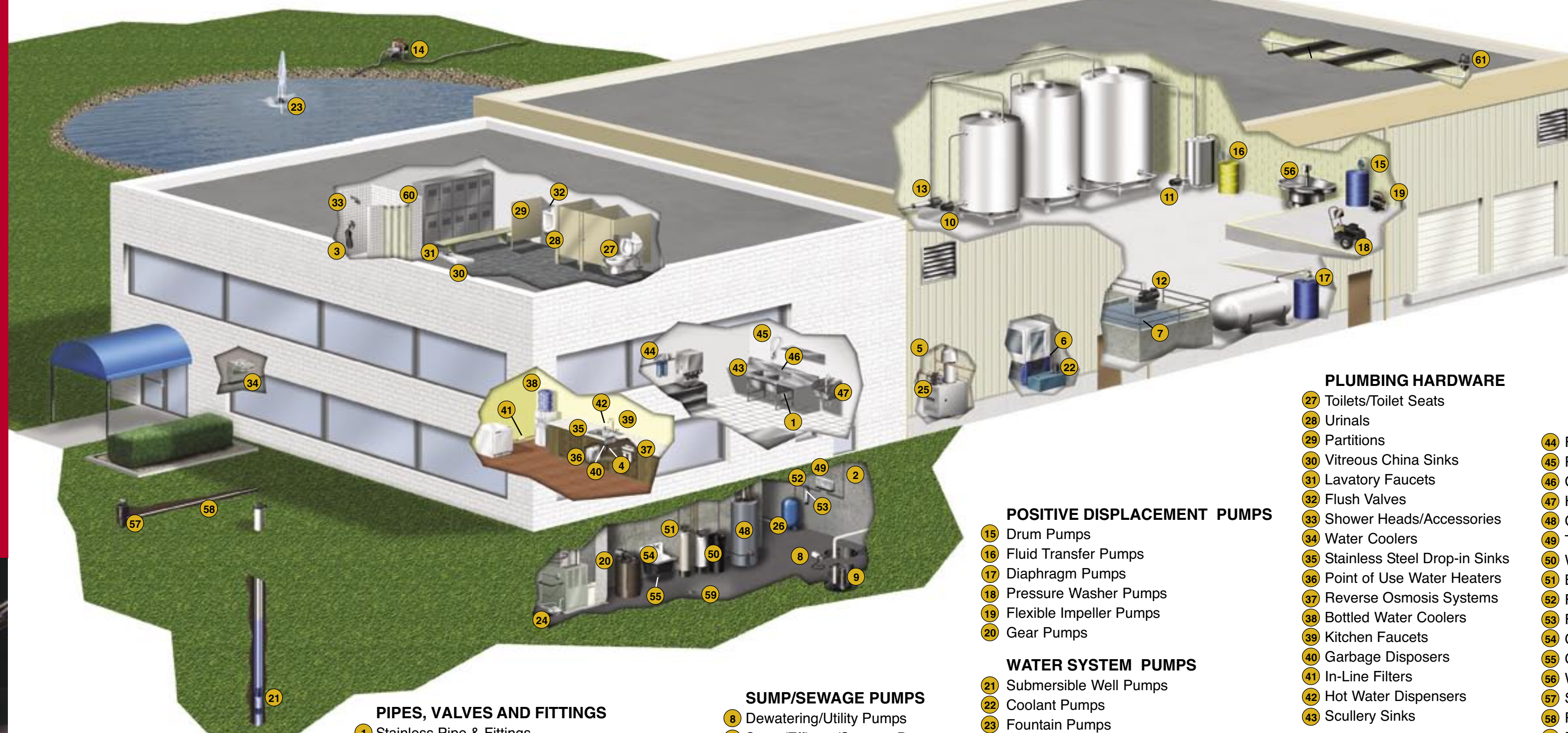
PUMPS & PLUMBING

Plenty of Pumps and Plumbing Solutions

We've expanded our line of plumbing products to include a wide assortment of pumps, pipes, valves, fittings and plumbing hardware to suit most of your commercial and residential needs.



GRAINGER
FOR THE ONES WHO GET IT DONE



Multi-Use Commercial Building

Over 13,000 system components and parts are available wherever your job takes you. From the roof to the basement and everywhere in between, Grainger has the products HVAC and Plumbing Contractors need.

PIPES, VALVES AND FITTINGS

- 1 Stainless Pipe & Fittings
- 2 Black/Galvanized Pipe & Fittings
- 3 Propress and Pexcel Fittings & Tools
- 4 Plastic Pipe & Fittings
- 5 Ball Valves
- 6 Tubing & Tube Fittings
- 7 Industrial Valves & Strainers
- Instrumentation Valves & Fittings (Not Shown)
- Sanitary Stainless Valves & Fittings (Not Shown)
- Actuated Valves (Not Shown)

SUMP/SEWAGE PUMPS

- 8 Dewatering/Utility Pumps
- 9 Sump/Effluent/Sewage Pumps
- Pump Accessories (Not Shown)

CENTRIFUGAL PUMPS

- 10 High Head Pumps
- 11 Straight Centrifugal Pumps
- 12 Self Priming Pumps
- 13 Pressure Booster Pumps
- 14 Engine Drive Pumps

POSITIVE DISPLACEMENT PUMPS

- 15 Drum Pumps
- 16 Fluid Transfer Pumps
- 17 Diaphragm Pumps
- 18 Pressure Washer Pumps
- 19 Flexible Impeller Pumps
- 20 Gear Pumps

WATER SYSTEM PUMPS

- 21 Submersible Well Pumps
- 22 Coolant Pumps
- 23 Fountain Pumps
- 24 Condensate Pumps
- 25 Circulating Pumps
- 26 Pressure Tanks
- Pool Pumps (Not Shown)
- Pool Filters (Not Shown)
- Metering Pumps (Not Shown)

PLUMBING HARDWARE

- 27 Toilets/Toilet Seats
- 28 Urinals
- 29 Partitions
- 30 Vitreous China Sinks
- 31 Lavatory Faucets
- 32 Flush Valves
- 33 Shower Heads/Accessories
- 34 Water Coolers
- 35 Stainless Steel Drop-in Sinks
- 36 Point of Use Water Heaters
- 37 Reverse Osmosis Systems
- 38 Bottled Water Coolers
- 39 Kitchen Faucets
- 40 Garbage Disposers
- 41 In-Line Filters
- 42 Hot Water Dispensers
- 43 Scullery Sinks

- 44 Food/Beverage Filtration Systems
- 45 Pre-Rinse Assemblies
- 46 Commercial Faucets
- 47 Handwashing Sinks
- 48 Commercial Water Heaters
- 49 Tankless Water Heaters
- 50 Water Softeners
- 51 Backwash Filter
- 52 Filter Housings
- 53 Filter Cartridges
- 54 Cast Iron Service Sinks
- 55 Cast Iron P-Traps
- 56 Wash Fountains
- 57 Sprinkler Systems
- 58 PVC Pipe & Fittings
- 59 Floor Drains
- 60 Shower Curtain Rods
- 61 Roof Drains
- Pipe Hangers (Not Shown)
- Drain Products (Not Shown)
- Grease Interceptors (Not Shown)
- Liquid Level Controls/Switches (Not Shown)

Contractors get special pricing every day.

Our contractor customers are entitled to special discounts every day. Ask your representative or branch for details.

Be sure to check out www.grainger.com/contractor for special contractor-exclusive savings, product updates, and helpful technical information.



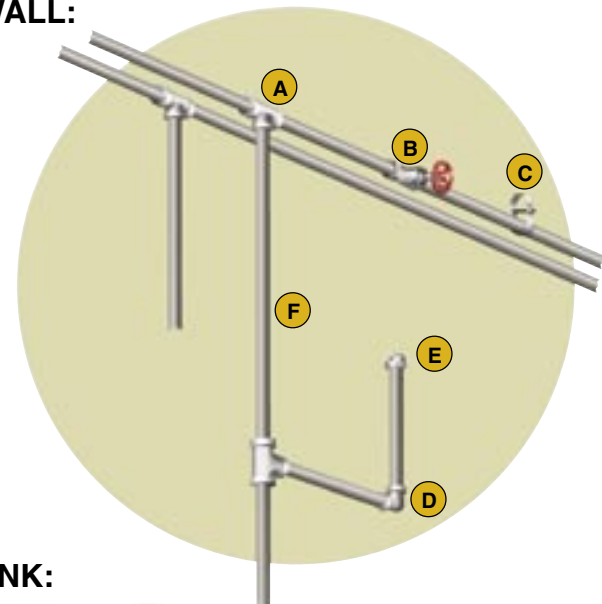
GRAINGER
FOR THE ONES WHO GET IT DONE

©2007 W.W. Grainger, Inc. M-J141 8S2013

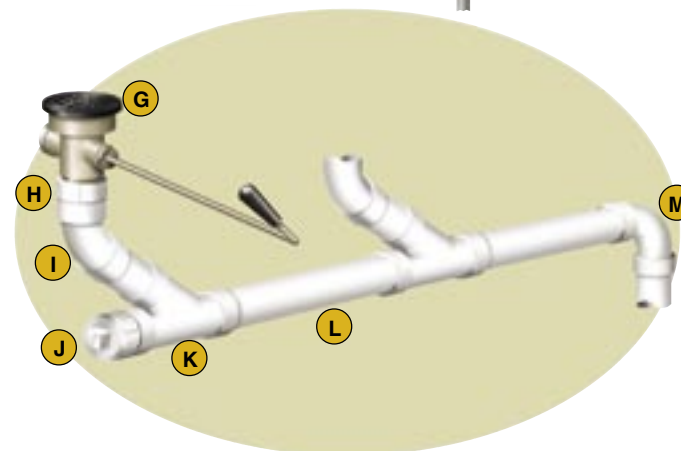
Scullery Sink:



BEHIND THE WALL:



UNDER THE SINK:



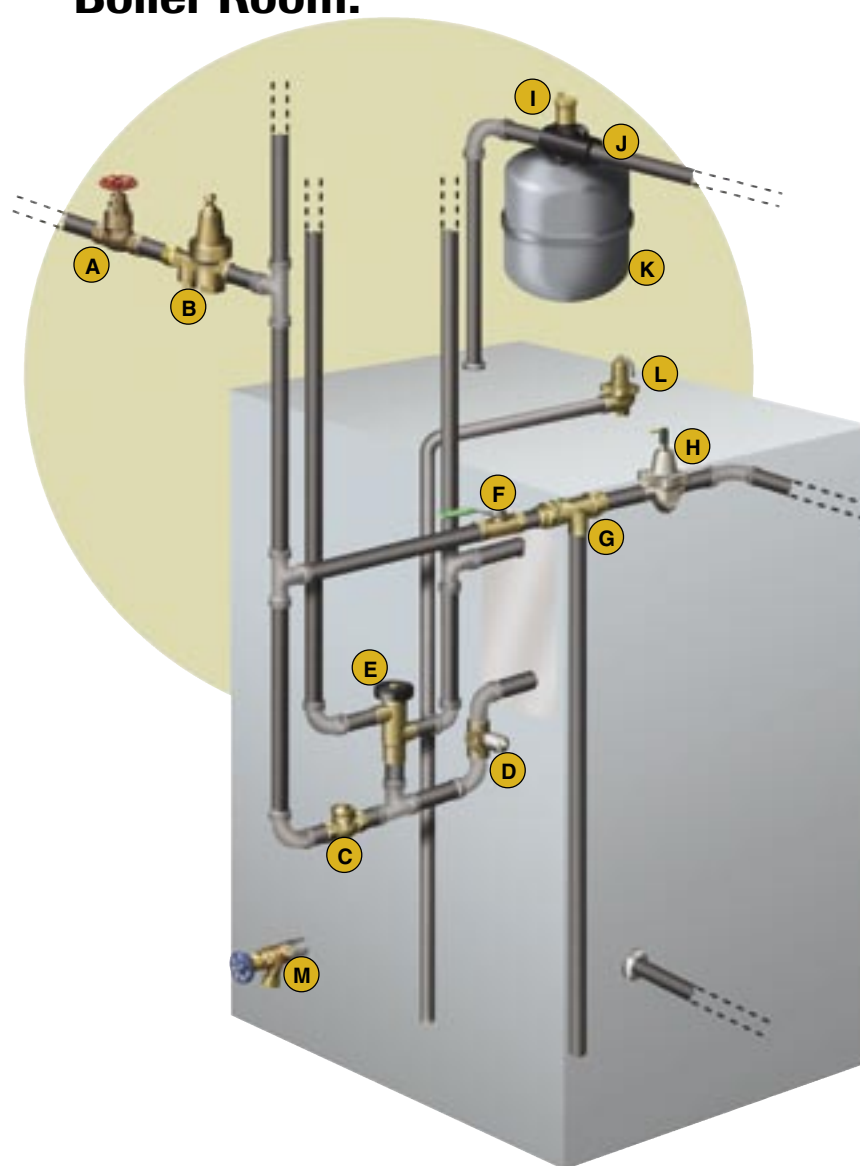
BEHIND THE WALL

- A** Galvanized Tees
- B** Gate Valves
- C** Pipe Hangers
- D** Galvanized Elbows
- E** Galvanized Pipe Caps
- F** Galvanized Pipe

UNDER THE SINK

- G** Waste Valves
- H** PVC Adaptors
- I** PVC 45° Elbows
- J** PVC Cleanout Adaptors
- K** PVC Wye Connectors
- L** PVC Pipe
- M** PVC 90° Elbows

Boiler Room:

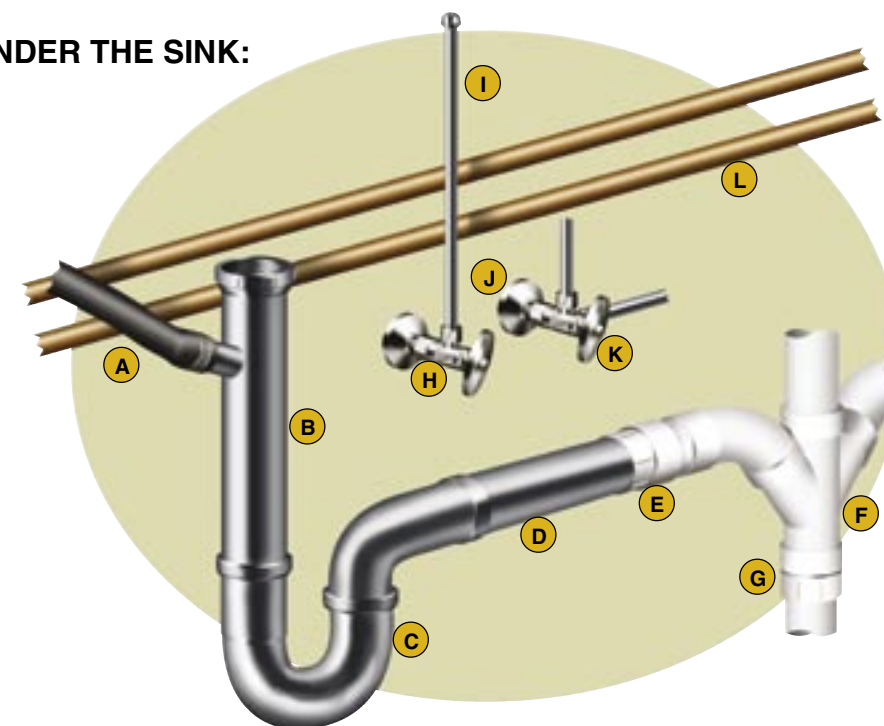


- A** Gate and Globe Valves
- B** Water Pressure Reducing Valves
- C** Check Valves
- D** Flow Control Valves
- E** Mixing/Tempering Valves
- F** Ball Valves
- G** Backflow Preventers
- H** Boiler Feed Valves
- I** Float Vent Valves
- J** Air Purgers, Separators
- K** Expansion Tanks
- L** Boiler Safety Relief Valves
- M** Boiler Drain Valves

Kitchenette:



UNDER THE SINK:



- A** Reinforced Hoses
- B** Drain Tailpieces
- C** P Traps
- D** Extension Pipes
- E** Trap Adapters
- F** PVC Double Wye Connectors
- G** Cleanout Adaptors
- H** Water Supply Stops
- I** Riser Tubes
- J** Escutcheons
- K** Dual Outlet Water Supply Stops
- L** Copper Tubing

The Products You Need

Your work takes you everywhere, so make Grainger your first call for all of your daily supply needs. We have local branches everywhere, stocked with the Pumps and Plumbing products you need when you're on the go.

Dedicated Support

Count on your Grainger representative and local branches to partner with you to develop solutions that will grow your business. Stay informed of the latest products and get the necessary training and technical support you need.

24/7 Availability

Grainger supplies you with the full line of products you need to get the job done.

**Trusted brand names
you can rely on.**

